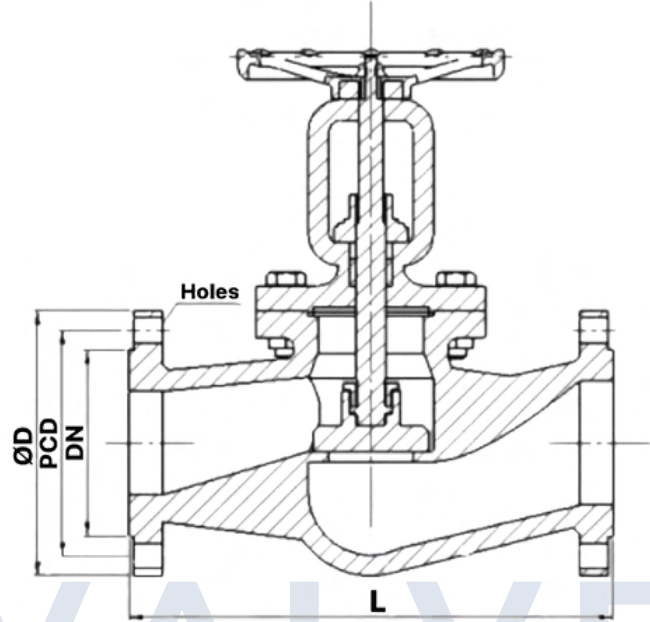


Glob Vana (Düz Tip) / Globe Valve (Straight Type)



PARÇA ADI PART NAME	MALZEME MATERIAL
GÖVDE / BODY	GG25 / GGG 40.3 / GS-C25 /RG5
KAPAK / BONNET	GG25 / GGG 40.3 / GS-C25 /RG5
KLAPPE / DISC	ALU BRONZE / AISI 420
SİT / SEAT	ALU BRONZE / AISI 420
CONTA / GASKET	GRAPHİTE
HENDİL / HANDWHELL	GG25

SIZE	CODE STOP	CODE SDNR	FLANGE ØD	PCD	FACE TO FACE (L)	HOLES
DN15	755261	755312	95	65	130	4 X 14
DN20	755262	755313	105	75	150	4 X 14
DN25	755263	755314	115	85	160	4 X 14
DN32	755264	755369	140	100	180	4 X 18
DN40	755265	755370	150	110	200	4 X 18
DN50	755266	755378	165	125	230	4 X 18
DN65	755267	755379	185	145	290	4 X 18
DN80	755268	755380	200	160	310	8 X 18
DN100	755269	755395	220	180	350	8 X 18
DN125	755270	755396	250	210	400	8 X 18
DN150	755271	7553**	285	240	480	8 X 22
DN200	755273	7553**	340	295	600	12 X 22
DN250	755274	7553**	405	355	730	12 X 26
DN300	755275	7553**	460	410	850	12 X 26
DN350	7552**	7553**	520	470	980	16 X 26
DN400	7552**	7553**	580	525	1100	16 X 30

