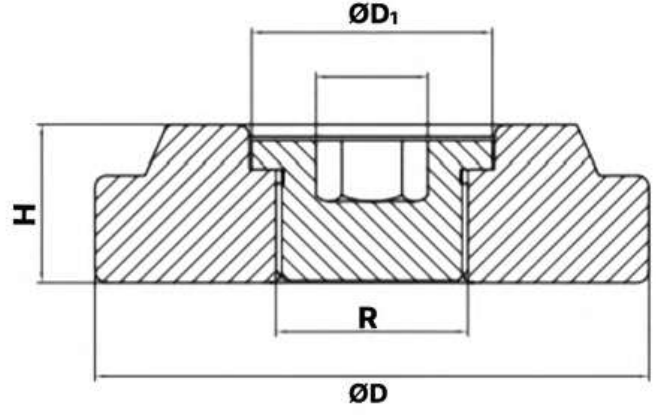


Lavra Tapası / Drain Plug



ATAVALVE

PARÇA ADI / PART NAME	MALZEME / MATERIAL
GÖVDE / BODY	SAE 1040
TAPA / PLUG	AISI 316

ØD	ØD1	H	R
100	60	40	1 1/2"
140	60	40	1 1/2"
160	60	40	1 1/2"
180	70	40	2"
200	70	40	2"

