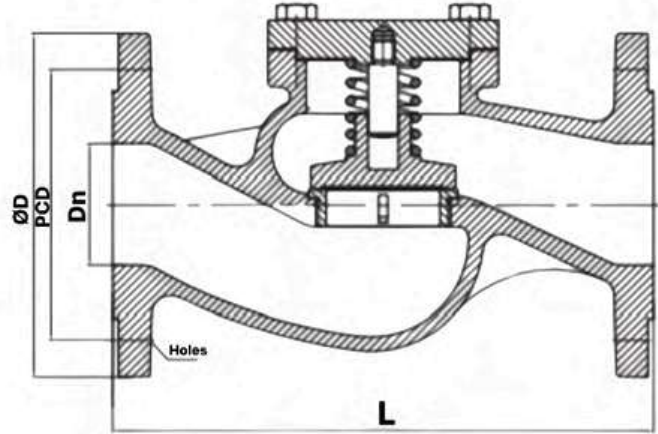
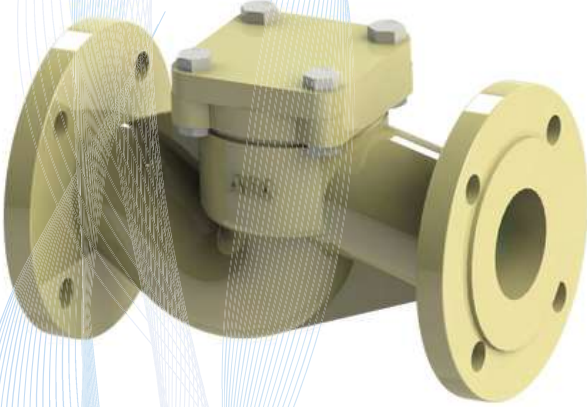


Çek Vana (Düz Tip) / Lift Check Valve (Straight Type)



ATAVALVE

PARÇA ADI PART NAME	MALZEME MATERIAL
GÖVDE / BODY	GG25 / GGG 40.3 / GS-C25 / RG5
KAPAK / BONNET	ST 37
KLAPE / DISC	ALU BRONZE / AISI 420
SİT / SEAT	ALU BRONZE / AISI 420
CONTA / GASKET	KLINGRIT

SIZE	CODE IMPA	FLANGE ØD	PCD	FACE TO FACE (L)	HOLES
DN15	755841	95	65	130	4 X 14
DN20	755842	105	75	150	4 X 14
DN25	755843	115	85	160	4 X 14
DN32	755844	140	100	180	4 X 18
DN40	755845	150	110	200	4 X 18
DN50	755846	165	125	230	4 X 18
DN65	755847	185	145	290	4 X 18
DN80	755848	200	160	310	8 X 18
DN100	755849	220	180	350	8 X 18
DN125	755850	250	210	400	8 X 18
DN150	755851	285	240	480	8 X 22
DN200	755853	340	295	600	12 X 22
DN250	755854	405	355	730	12 X 26
DN300	7558**	460	410	850	12 X 26
DN350	7558**	520	470	980	16 X 26
DN400	7558**	580	525	1100	16 X 30

