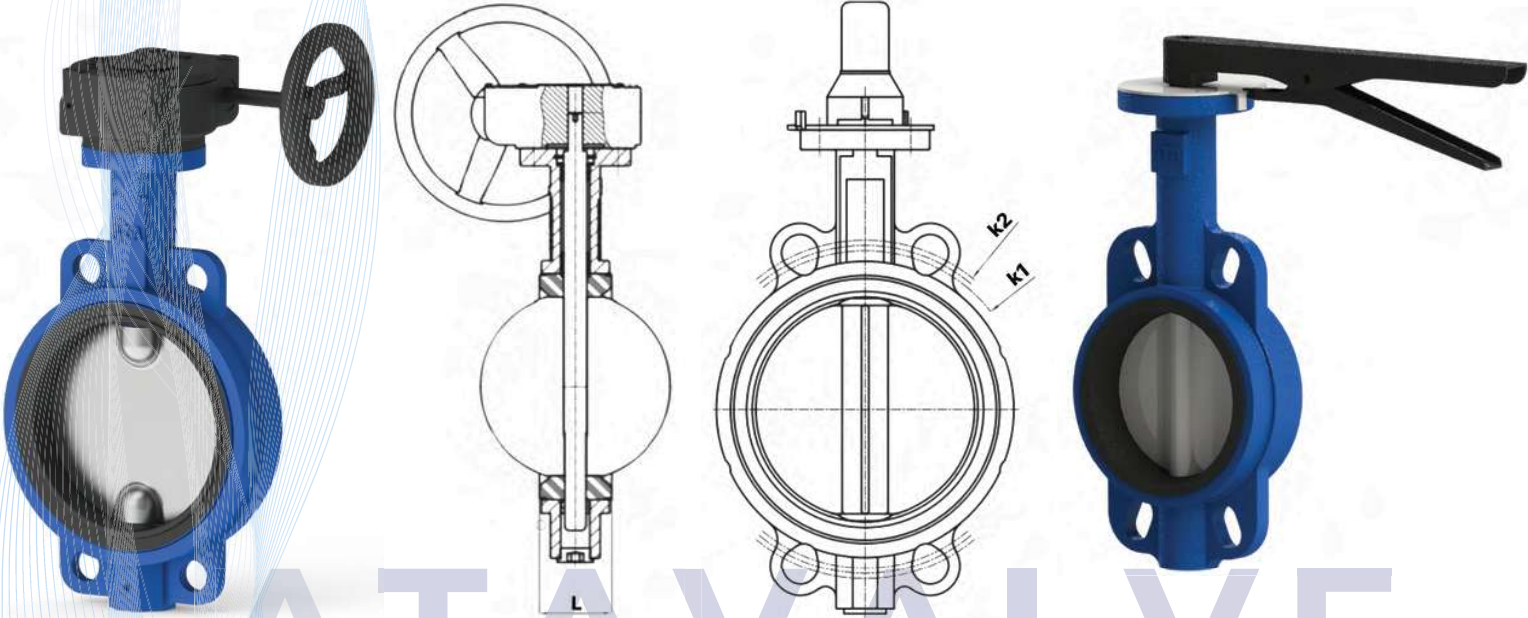


Wafer Tip Kelebek Vana / Wafer Type Butterfly Valve



PARÇA ADI PART NAME	MALZEME MATERIAL
GÖVDE / BODY	GG25 / GGG 40.3 / RG5 / SS316
KLAPE / DISC	ALU BRONZE / SS316 / SS304
MİL / STEM	AISI 420 / BRASS
CONTA / GASKET	NBR / EPDM/VITON / PTFE / NR
KOL / LEVER	ST42 / ALUMINIUM
REDÜKTÖR / WORM GEAR	GGG40

SIZE	CODE IMPA	FACE TO FACE (L)	PN6	PN10	PN16
			Øk1	Øk2	Øk3
DN25	7522**	35	85	100	100
DN32	7522**	35	90	100	100
DN40	752208	35	100	110	110
DN50	752201	46	110	125	125
DN65	752202	49	130	145	145
DN80	752203	49	150	160	160
DN100	752204	55	170	180	180
DN125	752205	59	200	210	210
DN150	752206	59	225	240	240
DN200	752207	64	280	295	295
DN250	752218	72	335	350	355
DN300	752219	81	395	400	410
DN350	752220	81	445	460	470
DN400	752221	102	596	515	525
DN450	752222	120	550	565	585
DN500	752223	133	600	620	650
DN600	752224	160	705	725	770

