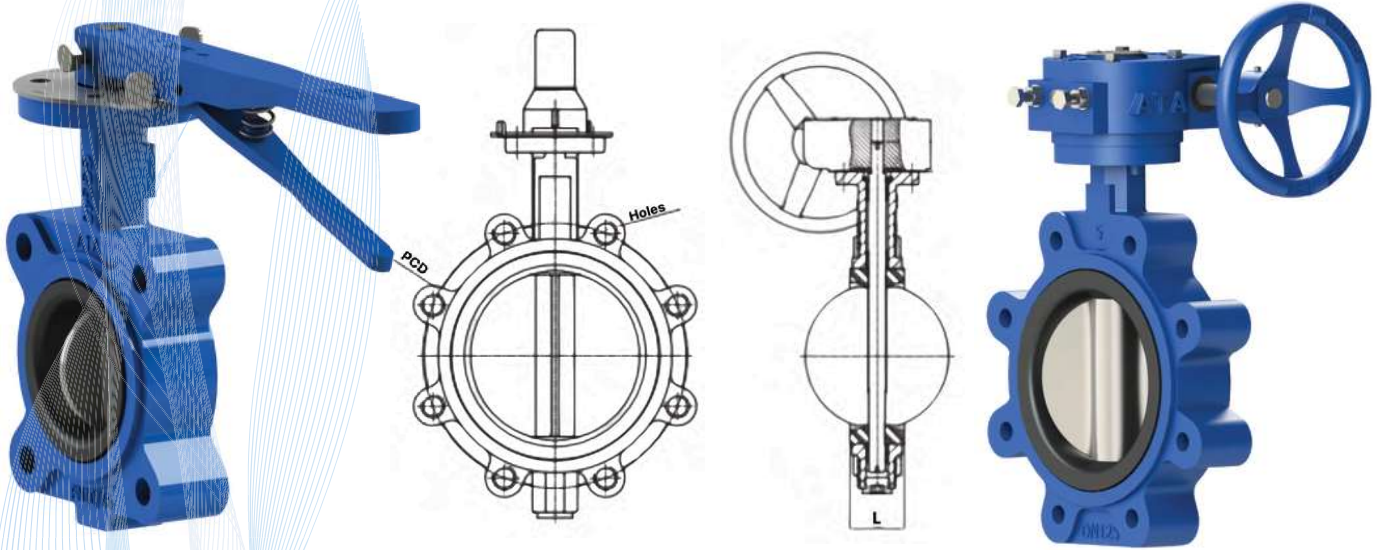


## Lug Tip Kelebek Vana PN10/16 / Lug Type Butterfly Valve PN10/16



# ATAVALVE

PARÇA ADI PART NAME	MALZEME MATERIAL
GÖVDE / BODY	GG25 / GGG 40.3 / RG5 / SS316
KLAPE / DISC	ALU BRONZE / SS316 / SS304
MİL / STEM	AISI 420 / BRASS
CONTA / GASKET	NBR / EPDM/VITON / PTFE / NR
KOL / LEVER	ST42 / ALUMINIUM
REDÜKTÖR / WORM GEAR	GGG40

SIZE	CODE IMPA	FACE TO FACE (L)	PN10		PN16		
			PCD	HOLES	CODE IMPA	PCD	HOLES
DN40	7544**	35	110	4 X 16	***	110	4 X 16
DN50	754431	46	125	4 X 16	754446	125	4 X 16
DN65	754432	49	145	4 X 16	754447	145	4 X 16
DN80	754433	49	160	8 X 16	754448	160	8 X 16
DN100	754434	55	180	8 X 16	754449	180	8 X 16
DN125	754435	59	210	8 X 16	754450	210	8 X 16
DN150	754436	59	240	8 X 20	754451	240	8 X 20
DN200	754437	64	295	8 X 20	754452	295	12 X 20
DN250	754438	72	350	12 X 20	754453	355	12 X 24
DN300	754439	81	400	12 X 20	754454	410	12 X 24
DN350	754440	81	460	16 X 20	754455	470	16 X 24
DN400	754441	102	515	16 X 24	754456	525	16 X 27
DN450	754442	114	565	20 X 24	754457	585	20 X 27
DN500	754443	133	620	20 X 24	754458	650	20 X 30
DN550	7544**	157	675	20 X 24	7544**	680	20 X 30
DN600	754444	159	725	20 X 27	754459	770	20 X 33
DN700	7544**	170	840	24 X 27	7544**	840	24 X 33

