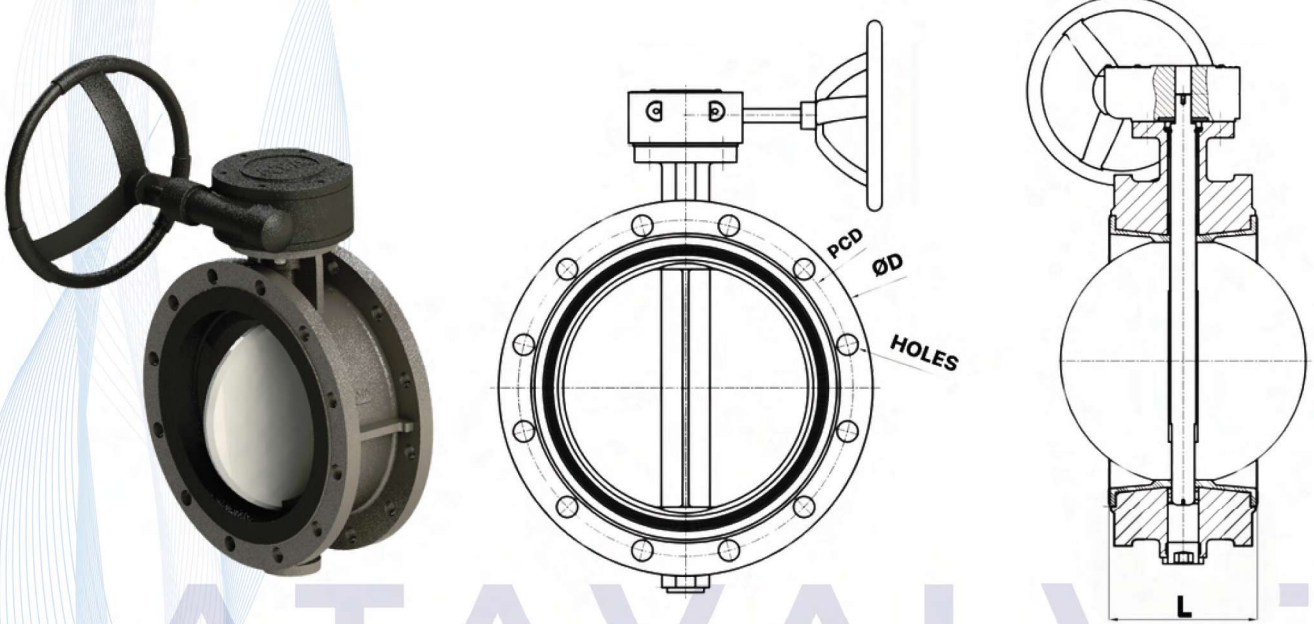


Çift Flanşlı Kelebek Vana PN10/16 / Double Flange Butterfly Valve PN10/16



ATAVALVE

PARÇA ADI PART NAME	MALZEME MATERIAL
GÖVDE / BODY	GGG40.3
KLAPPE / DISC	ALU. BRONZE / SS316
MİL / STEM	AISI 420 / BRASS
CONTA / GASKET	NBR / EPDM
REDÜKTÖR / WORM GEAR	GGG40.3

SIZE	FACE TO FACE (L)	FLANGE ØD	PCD	HOLES
DN50	112	165	125	4 X 14
DN65	116	185	145	4 X 14
DN80	118	200	160	8 X 18
DN100	127	220	180	8 X 18
DN125	140	250	210	8 X 18
DN150	140	285	240	8 X 23
DN200	152	340	295	12 X 23
DN250	165	405	355	12 X 28
DN300	178	460	410	12 X 28
DN350	190	520	470	16 X 28
DN400	216	580	525	16 X 31
DN450	222	640	585	20 X 31
DN500	229	715	650	20 X 34
DN600	267	840	725	20 X 37
DN700	292	910	840	24 X 37
DN800	318	1025	950	0

