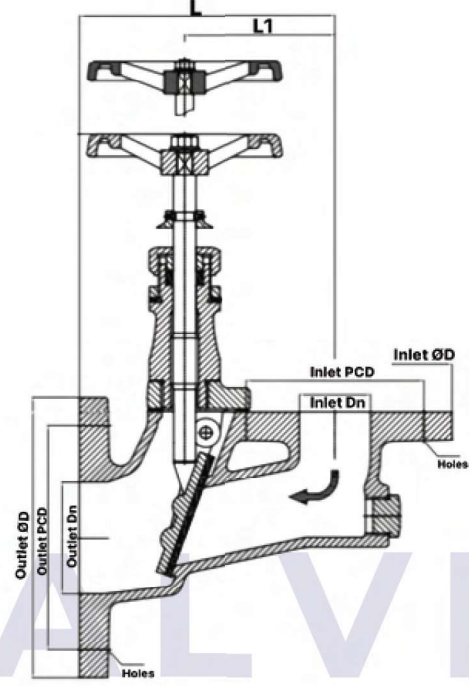
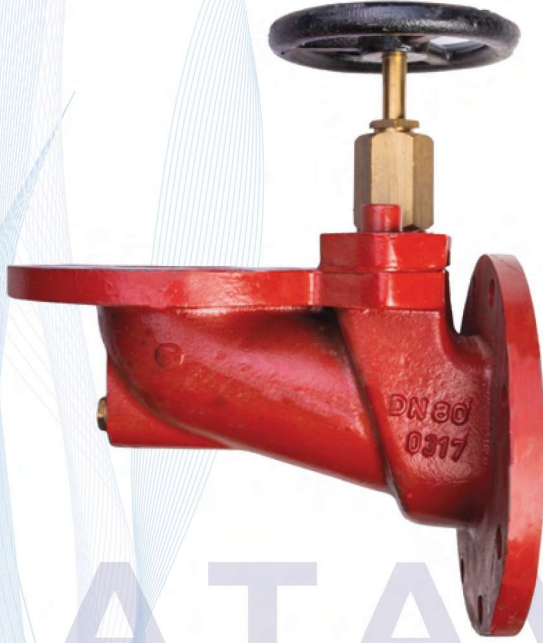


**Tuvalet Çalparası-Fırtına Vanası (Gönye Tip) / Storm Valve (Angle Type)**



ATAVALVE

PARÇA ADI PART NAME	MALZEME MATERIAL
GÖVDE / BODY	GGG 40.3 / BRONZE
KAPAK / BONNET	GG25 / GGG 40.3 / GS-C25 /RG5
KLAPE / DISC	RG5
MİL / STEM	AISI 420
CONTA / GASKET	NBR

SIZE	CODE IMPA	INLET FLANGE ØD	INLET PCD	L1	INLET HOLES	OUTLET FLANGE ØD	OUTLET PCD	L2	OUTLET HOLES
DN50- DN80	754277	165	125	180	4 X 18	200	160	95	8 X 18
DN65- DN100	754278	185	145	200	4 X 18	220	180	108	8 X 18
DN80- DN125	754279	200	160	215	8 X 18	250	210	130	8 X 18
DN100- DN150	754280	220	180	250	8 X 18	285	240	145	8 X 22
DN125- DN175	754281	250	210	290	8 X 18	315	270	175	8 X 22
DN150- DN200	754282	285	240	330	8 X 22	340	295	200	8 X 22

