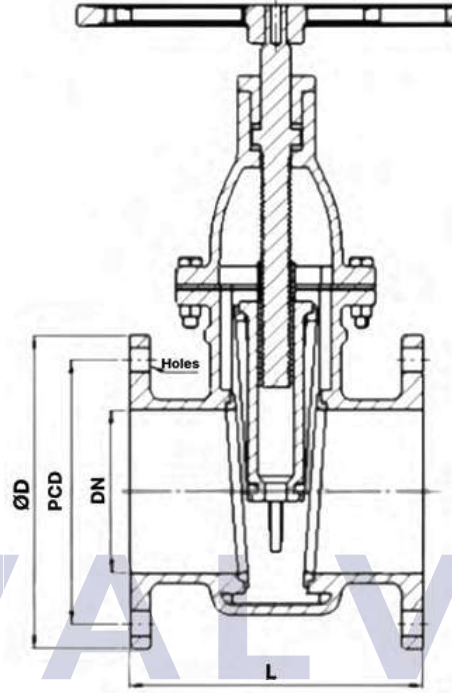


Sürgülü Vana PN10/16 (DIN 3216) / Gate Valve PN10/16 (DIN3216)



PARÇA ADI PART NAME	MALZEME MATERIAL
GÖVDE / BODY	GG25 / GGG 40.3 / RG5
KAPAK / BONNET	GG25 / GGG 40.3 / RG5
SÜRGÜ / WEDGE	GG25 / GGG 40.3 / RG5
SİT / SEAT	ALU BRONZE / BRASS
CONTA / GASKET	NBR / VITON
HENDİL / HANDWHELL	GG25

SIZE	CODE IMPA	PN10				PN16			
		FLANGE ØD	PCD	FACE TO FACE (L)	HOLES	FLANGE ØD	PCD	FACE TO FACE (L)	HOLES
DN40	755601	150	110	140	4 X 19	150	110	140	4 X 19
DN50	755602	165	125	150	4 X 19	165	125	150	4 X 19
DN65	755603	185	145	170	4 X 19	185	145	170	4 X 19
DN80	755604	200	160	180	8 X 19	200	160	180	8 X 19
DN100	755605	220	180	190	8 X 19	220	180	190	8 X 19
DN125	755606	250	210	200	8 X 19	250	210	200	8 X 19
DN150	755607	285	240	210	8 X 23	285	240	210	8 X 23
DN200	755608	340	295	230	8 X 23	340	295	230	12 X 23
DN250	755609	395	350	250	12 X 23	405	355	250	12 X 23
DN300	755610	445	400	270	12 X 23	460	410	270	12 X 23

