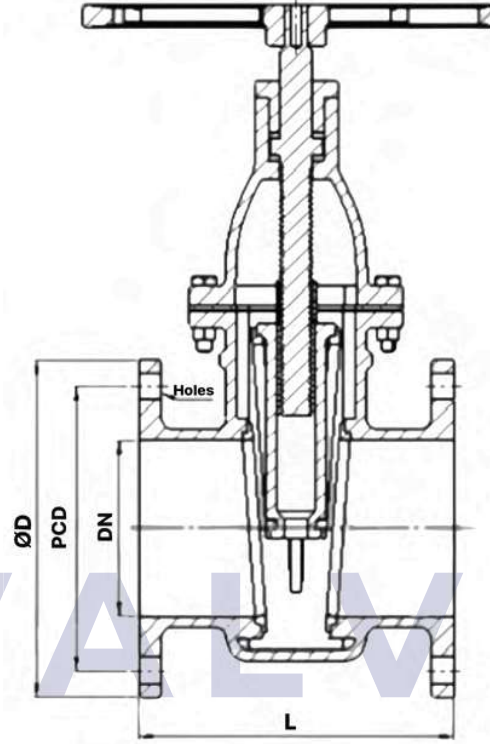


Sürgülü Vana PN6 (DIN 3204) / Gate Valve PN6 (DIN3204)



PARÇA ADI PART NAME	MALZEME MATERIAL
GÖVDE / BODY	GG25
KAPAK / BONNET	GG25
SÜRGÜ / WEDGE	GG25
SİT / SEAT	ALU BRONZE / BRASS
CONTA / GASKET	NBR / VITON
HENDİL / HANDWHELL	GG25

SIZE	FLANGE ØD	PCD	FACE TO FACE (L)	HOLES
DN40	130	100	140	4 X 14
DN50	140	110	150	4 X 14
DN65	160	130	170	4 X 14
DN80	190	150	180	4 X 19
DN100	210	170	190	4 X 19
DN125	240	200	200	8 X 19
DN150	265	225	210	8 X 19

