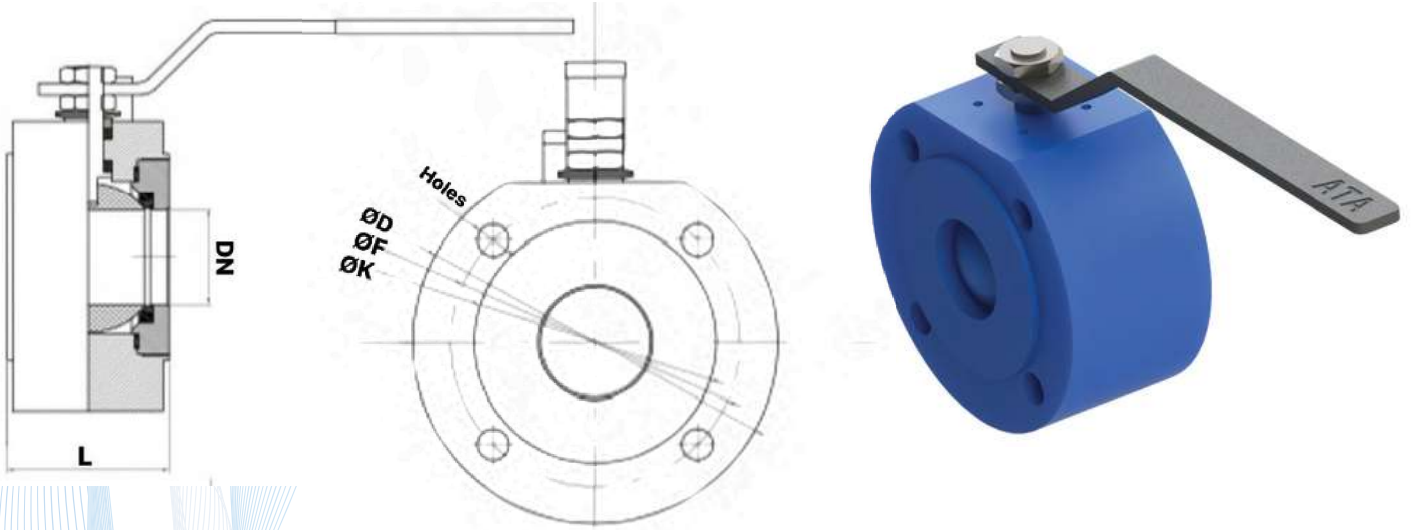


Küresel Vana (Monoblok) / Ball Valve (Monoblock)



ATAVALVE

PARÇA ADI PART NAME	MALZEME MATERIAL
GÖVDE / BODY	CARBON STEEL / AISI 304-316
KAPAK / COVER	CARBON STEEL / AISI 304-316
KÜRE / BALL	AISI 304 - 316
KÜRE CONTA / BALL SEAL	PTFE - TEFLON
GÖVDE CONTA / BODY SEAL	PTFE - TEFLON
MİL / STEM	AISI 304 - 316
KOL / HANDLE	ST37 / AISI 304

SIZE	L	ØD	ØK	ØF	HOLES
DN15	39	88	65	50	4 x 12
DN20	42	98	75	60	4 x 12
DN25	47	109	85	68	4 x 12
DN32	58	135	100	78	4 x 16
DN40	65	147	110	88	4 x 16
DN50	84	167	125	105	4 x 16
DN65	105	178	145	125	4 x 16
DN80	120	198	160	132	8 x 16
DN100	150	233	180	158	8 x 16
DN125	200	270	210	188	8 x 16
DN150	235	310	240	212	8 x 20

