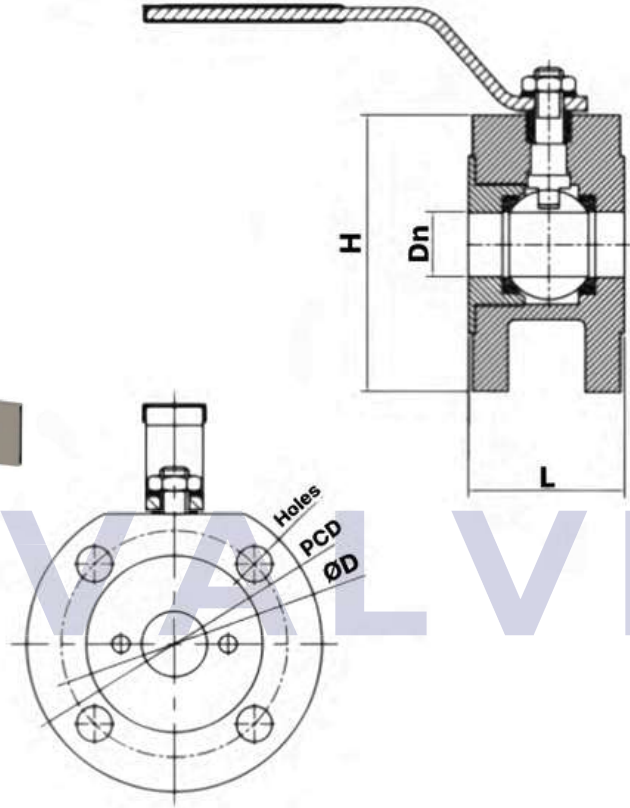


Küresel Vana (Wafer) / Ball Valve (Wafer)



PARÇA ADI PART NAME	MALZEME MATERIAL
GÖVDE / BODY	GG25
KAPAK / BONNET	GGG40
KÜRE / BALL	STAINLESS STEEL
CONTA / GASKET	PTFE
MİL / STEM	STAINLESS STEEL

SIZE	ØD	ØK	H	L	HOLES
DN20	105	75	101	74	4 x 14
DN25	115	85	110	76	4 X 14

