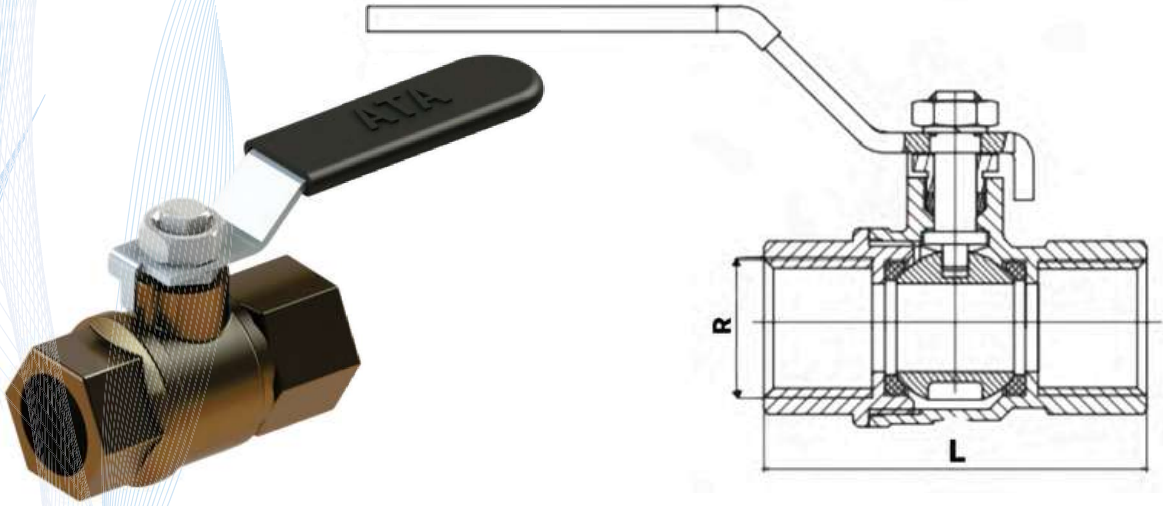


Küresel Vana (Bronz, Dişli) / Ball Valve (Bronze, Threaded)



ATAVALVE

PARÇA ADI PART NAME	MALZEME MATERIAL
GÖVDE / BODY	BRONZE
KAPAK / SEAT	BRONZE
KÜRE / BALL	KROM
CONTA / GASKET	PTFE
KOL / LEVER	ST37

SIZE	R	FACE TO FACE (L)
DN15	1/2"	53
DN20	3/4"	61
DN25	1"	71
DN32	1-1/4"	85
DN40	1-1/2"	92
DN50	2"	114

