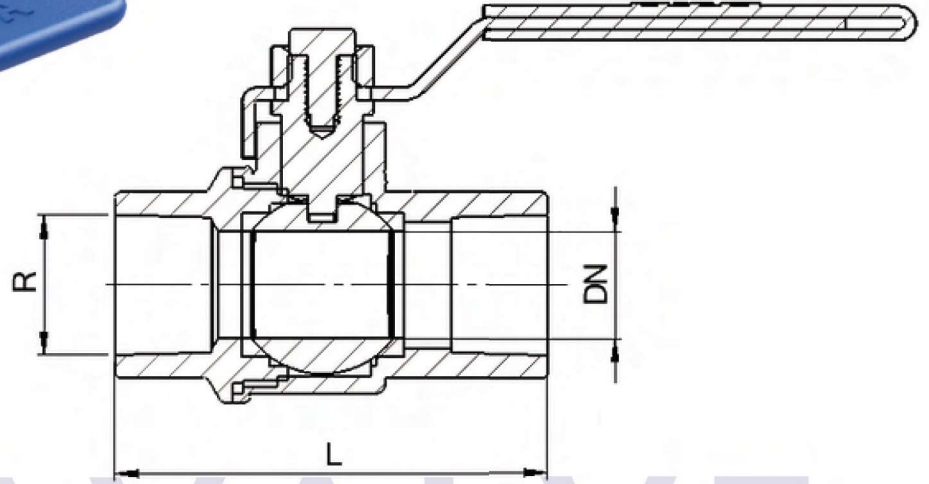
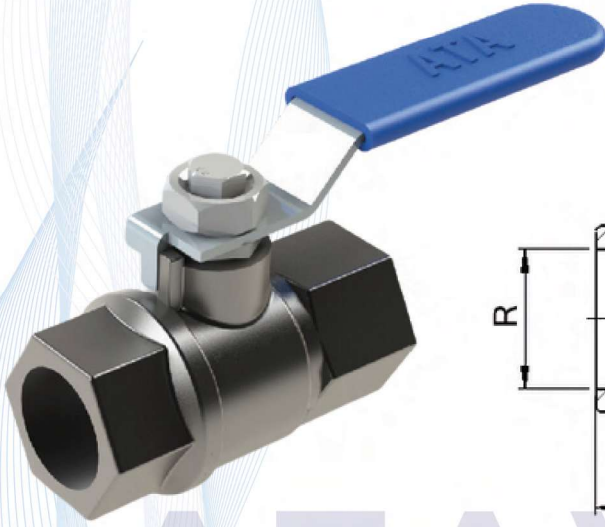


Küresel Vana (2 Parçalı, Paslanmaz, Dişli) / Ball Valve (2 PCS Body, St.Steel, Threaded)



ATAVALVE

PARÇA ADI PART NAME	MALZEME MATERIAL
GÖVDE / BODY	KROM
SİT / SEAT	KROM
KÜRE / BALL	KROM
CONTA / GASKET	PTFE
KOL / LEVER	KROM

SIZE	CODE IMPA	R	FACE TO FACE (L)
DN8	752411	1/4"	55
DN10	752412	3/8"	60
DN15	752413	1/2"	75
DN20	752414	3/4"	80
DN25	752415	1"	90
DN32	752416	1-1/4"	110
DN40	752417	1-1/2"	120
DN50	752418	2"	140
DN65	7524**	2-1/2"	185
DN80	7524**	3"	205
DN100	7524**	4"	240

