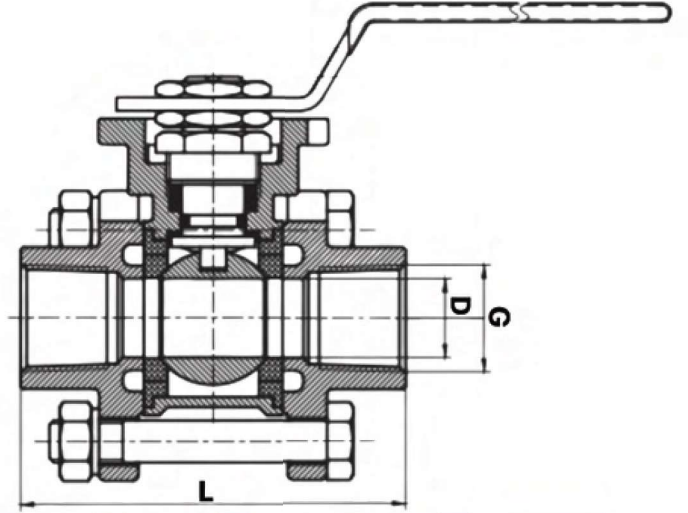
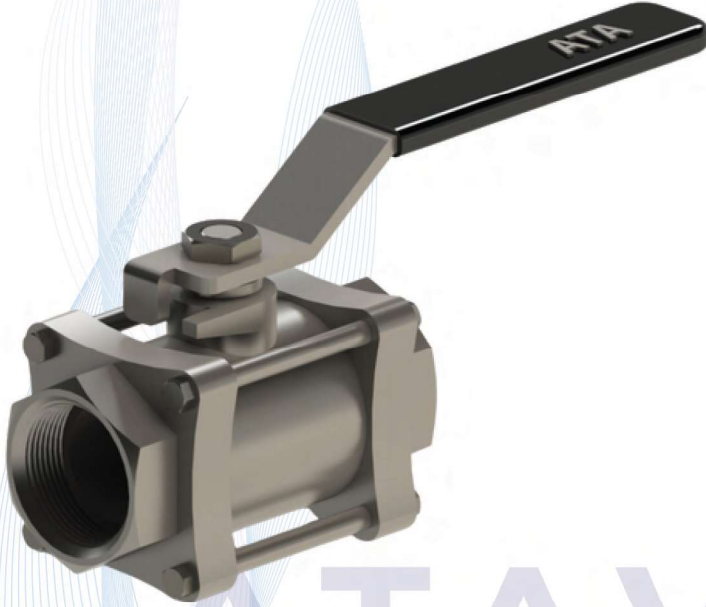


Küresel Vana (3 Parçalı, Paslanmaz, Dişli, Tepe Flanşlı) / Ball Valve (3 PCS Body, St. Steel, Threaded, W/Mounting Pad)



ATAVALVE

PARÇA ADI PART NAME	MALZEME MATERIAL
GÖVDE / BODY	AISI316
KEP / CAP	AISI316
KÜRE / BALL	AISI316
ORİNG / O-RING	VITON

SIZE	D	G	FACE TO FACE (L)
DN8	10,5	1/4"	73
DN10	12	3/8"	73
DN15	15	1/2"	75
DN20	20	3/4"	80
DN25	25	1"	90
DN32	32	1-1/4"	110
DN40	38	1-1/2"	120
DN50	49	2"	140
DN65	65	2-1/2"	185
DN80	80	3"	205
DN100	98	4"	240

