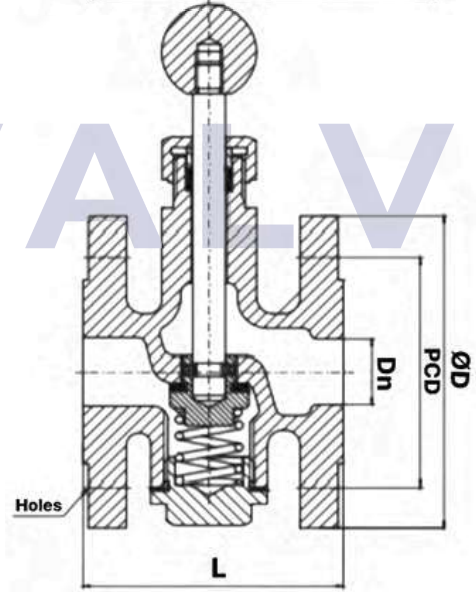
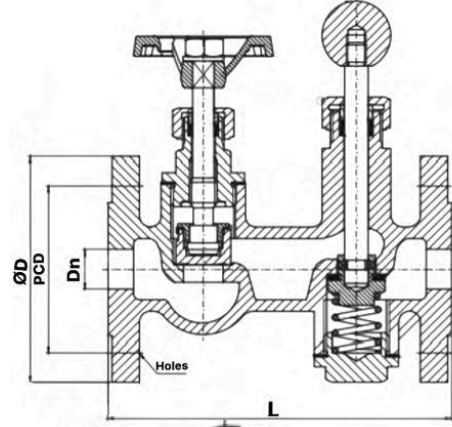


Dreyn Vanası / Drain Valve



PARÇA ADI PART NAME	MALZEME MATERIAL
GÖVDE / BODY	GGG40.3
KAPAK / BONNET	GGG40.3
KLAPE / DISC	Cuzn39pb3
CONTA / GASKET	KLINGRIT

SIZE	FLANGE ØD	PCD	FACE TO FACE (L)	HOLES
DN20	105	75	170	4 X 14
DN25	115	85	180	4 X 14
TERLİ/DN25	115	85	95	4 X 14

