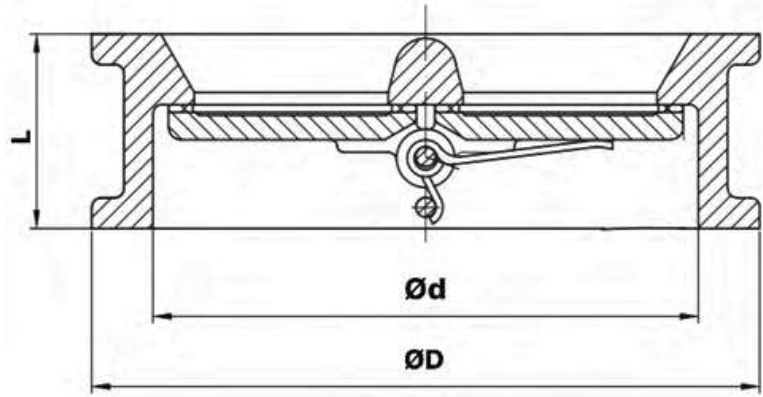
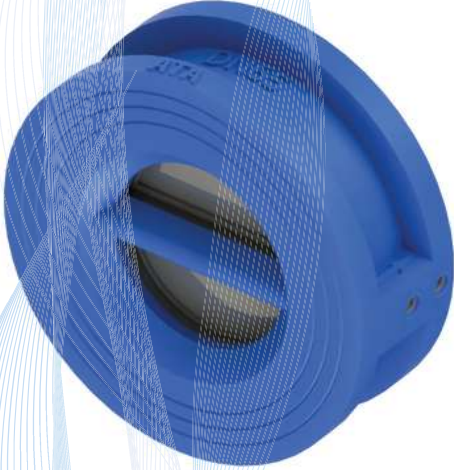


Çift Klapeli Çek Valf / Dual Plate Check Valve



ATAVALVE

PARÇA ADI PART NAME	MALZEME MATERIAL
GÖVDE / BODY	GG25 / GGG40.3
KLAPE / DISC	AISI 316 / ALU. BRONZE
YAY / SPRING	AISI 304
SİT / SEAT	NBR / EPDM
CONTA / GASKET	NBR

SIZE	CODE IMPA	Ød	ØD	FACE TO FACE (L)
DN50	756071	65	107	43
DN65	756072	80	127	46
DN80	756073	94	142	64
DN100	756074	117	162	64
DN125	756075	145	192	70
DN150	756076	170	218	76
DN200	756077	224	268	89
DN250	756078	265	327	114
DN300	756079	310	384	114
DN350	756080	360	438	127
DN400	756081	410	488	140

