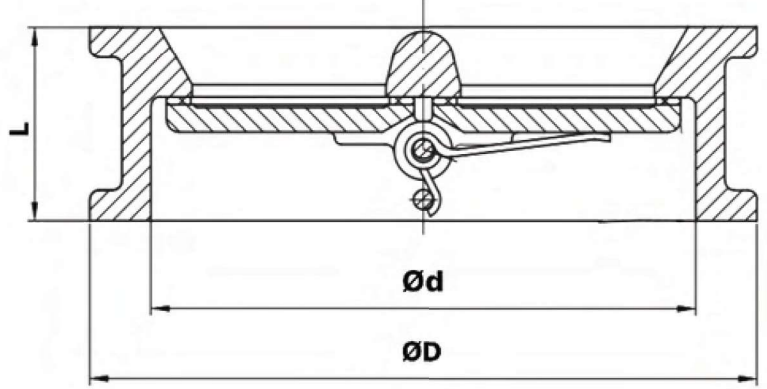
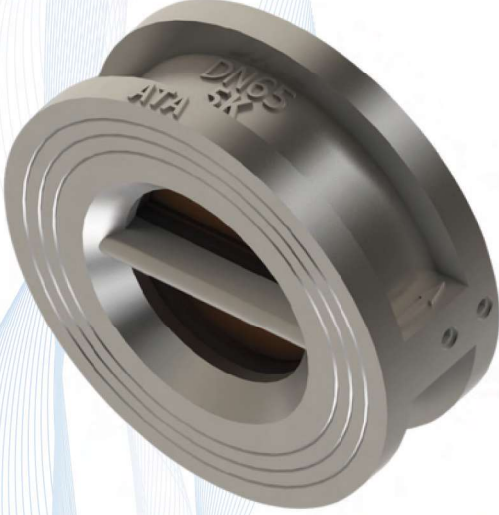


Çift Klapele Çek Valf 5K / Dual Plate Check Valve 5K



ATAVALVE

PARÇA ADI PART NAME	MALZEME MATERIAL
GÖVDE / BODY	GG25
KLAPE / DISC	ALU. BRONZE
YAY / SPRING	AISI 304
SİT / SEAT	NBR / EPDM
CONTA / GASKET	NBR

SIZE	$\varnothing d$	$\varnothing D$	FACE TO FACE (L)
DN50	65	90	60
DN65	80	115	67
DN80	94	126	73
DN100	117	146	73
DN125	145	181	86
DN150	170	211	98
DN200	224	257	127
DN250	265	322	146
DN300	310	367	181
DN350	360	410	184
DN400	410	470	190
DN450	450	530	203
DN500	505	580	213

