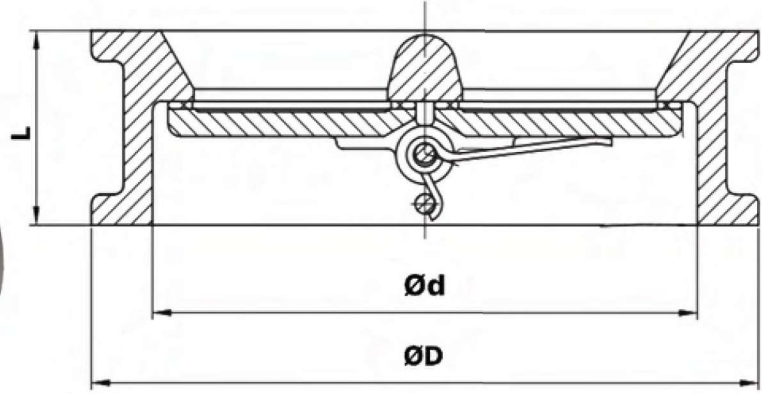


Çift Klapeli Çek Valf 10K / Dual Plate Check Valve 10K



ATAVALVE

PARÇA ADI PART NAME	MALZEME MATERIAL
GÖVDE / BODY	GG25
KLAPE / DISC	ALU. BRONZE
YAY / SPRING	AISI 304
SİT / SEAT	NBR / EPDM
CONTA / GASKET	NBR

SIZE	Ød	ØD	FACE TO FACE (L)
DN50	65	101	60
DN65	80	121	67
DN80	94	131	73
DN100	117	156	73
DN125	145	187	86
DN150	170	217	98
DN200	224	267	127
DN250	265	330	146
DN300	310	375	181
DN350	360	420	184
DN400	410	483	190
DN450	450	538	203
DN500	505	593	213

