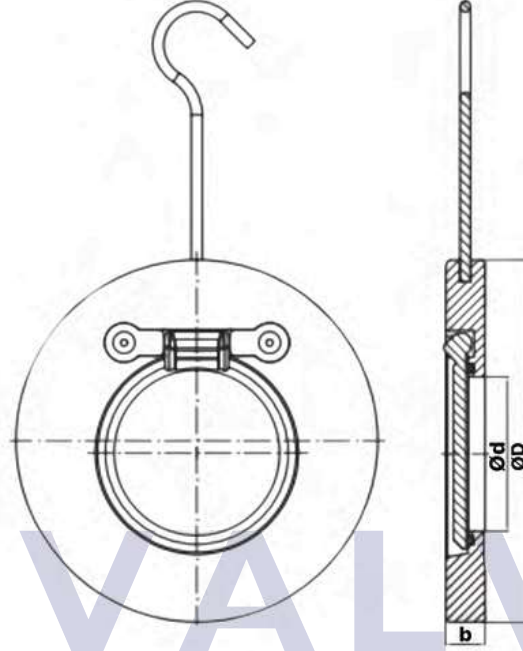
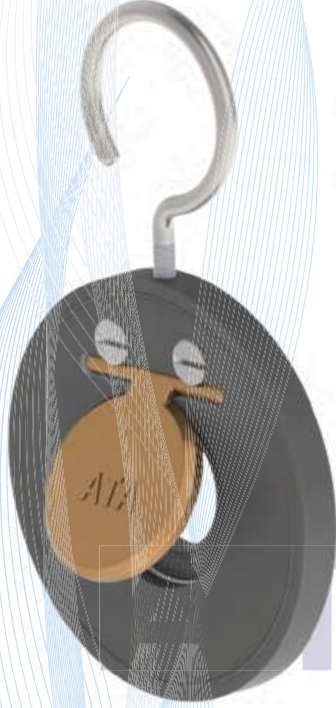


## Wafer Tip Çalpara Çek Valf / Wafer Type Swing Check Valve



PARÇA ADI PART NAME	MALZEME MATERIAL
GÖVDE / BODY	ST 42 / SS316 / RG5
KLAPE / DISC	AISI 316 / ALU. BRONZE
O-RING / O-RING	NBR / EPDM

SIZE	CODE IMPA	Ød	ØD	b
DN40	755976	22	94	14
DN50	755977	32	109	16
DN65	755978	40	129	16
DN80	755979	54	144	16
DN100	755980	70	164	18
DN125	755981	92	195	18
DN150	755982	112	220	20
DN200	755983	158	275	22
DN250	755984	192	330	25
DN300	755985	234	380	30
DN350	755986	266	440	38
DN400	755987	305	490	40

