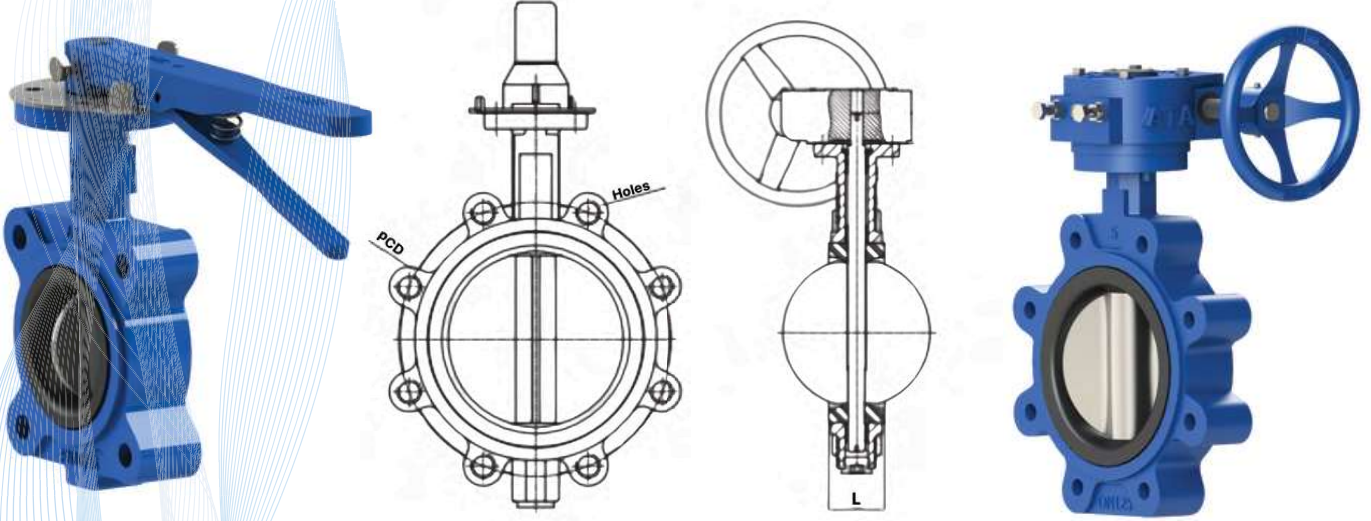


Lug Tip Kelebek Vana 5R / Lug Type Butterfly Valve 5R



ATAVALVE

PARÇA ADI PART NAME	MALZEME MATERIAL
GÖVDE / BODY	GG25 / GGG 40.3 / RG5 /SS316
KLAPE / DISC	ALU BRONZE / SS316 / SS304
MİL / STEM	AISI 420 / BRASS
CONTA / GASKET	NBR / EPDM/VITON / PTFE / NR
KOL / LEVER	ST42 / ALUMINIUM
REDÜKTÖR / WORM GEAR	GGG40

SIZE	FACE TO FACE (L)	PCD	HOLES
DN40	35	95	4 X 12
DN50	46	105	4 X 12
DN65	49	130	4 X 12
DN80	49	145	4 X 16
DN100	55	165	8 X 16
DN125	59	200	8 X 16
DN150	59	230	8 X 16
DN200	64	280	8 X 20
DN250	72	345	12 X 20
DN300	81	390	12 X 20
DN350	81	435	12 X 22
DN400	102	495	16 X 22
DN450	114	555	16 X 22
DN500	133	605	20 X 22
DN550	157	665	20 X 24
DN600	159	715	20 X 24
DN700	170	820	24 X 24

