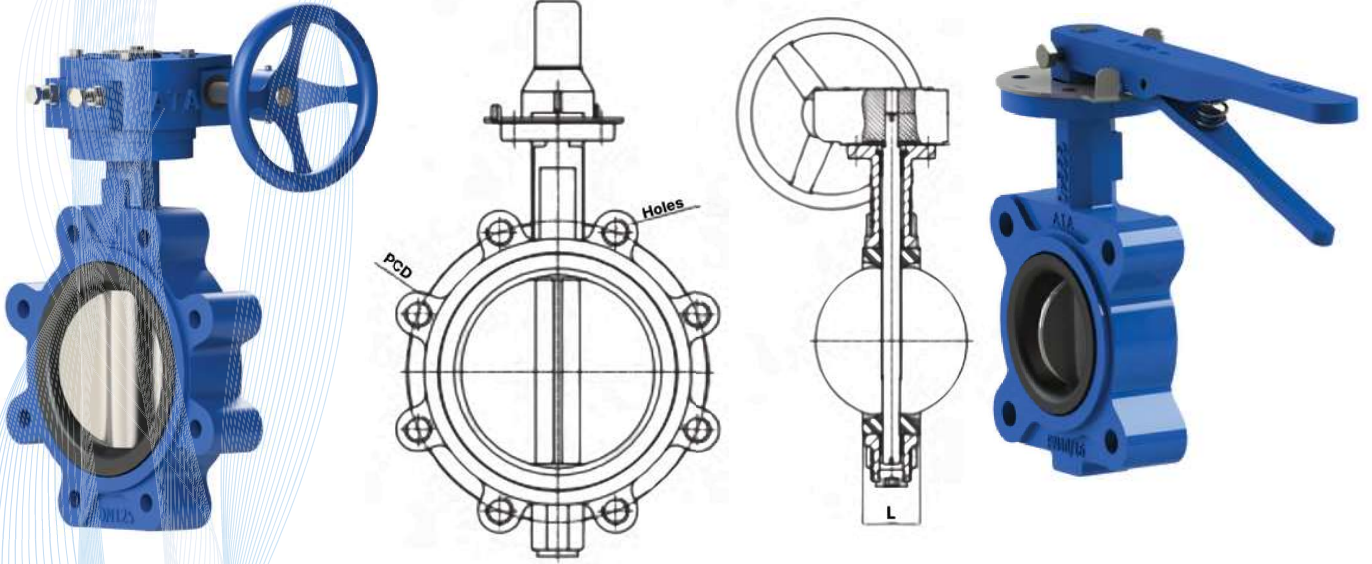


Lug Tip Kelebek Vana 10K/ Lug Type Butterfly Valve 10K



ATAVALVE

PARÇA ADI PART NAME	MALZEME MATERIAL
GÖVDE / BODY	GG25 / GGG 40.3 / RG5 /SS316
KLAPE / DISC	ALU BRONZE / SS316 / SS304
MİL / STEM	AISI 420 / BRASS
CONTA / GASKET	NBR / EPDM/VITON / PTFE / NR
KOL / LEVER	ST42 / ALUMINIUM
REDÜKTÖR / WORM GEAR	GGG40

SIZE	FACE TO FACE (L)	PCD	HOLES
DN40	35	105	4 X 16
DN50	46	120	4 X 16
DN65	49	140	4 X 16
DN80	49	150	8 X 16
DN100	55	175	8 X 16
DN125	59	210	8 X 20
DN150	59	240	8 X 20
DN200	64	290	12 X 22
DN250	72	355	12 X 22
DN300	81	400	16 X 22
DN350	81	445	16 X 22
DN400	102	510	16 X 24
DN450	114	565	20 X 24
DN500	133	620	20 X 24
DN550	157	680	20 X 30
DN600	159	730	24 X 30
DN700	170	840	24 X 30

