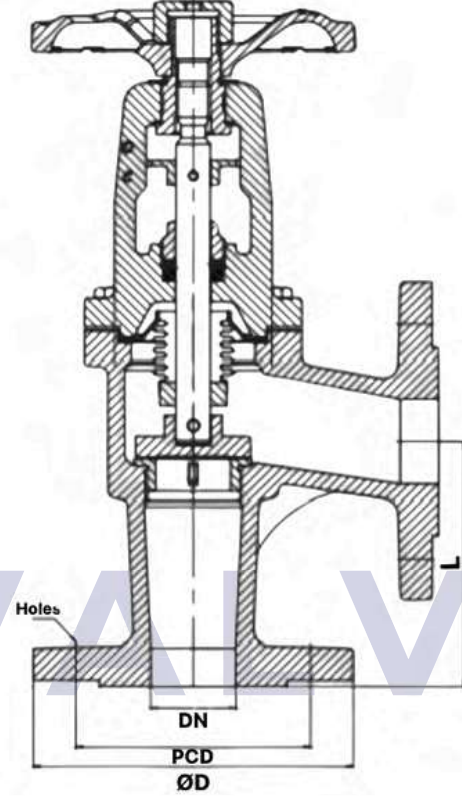


Metal Körüklü Vana (Gönye Tip) / Metal Bellow Sealed Globe Valve (Angle Type)



PARÇA ADI PART NAME	MALZEME MATERIAL
GÖVDE / BODY	GG25 / GGG 40.3
KAPAK / BONNET	GG25 / GGG 40.3
KÖRÜK / BELLOWS	AISI 316
SIT / SEAT	AISI 420
CONTA / GASKET	GRAPHİTE
HENDİL / HANDWHELL	GG25

PN16				PN25				PN40				FACE TO FACE (L)
SIZE	FLANGE ØD	PCD	HOLES	SIZE	FLANGE ØD	PCD	HOLES	SIZE	FLANGE ØD	PCD	HOLES	
DN15	95	65	4 X 14	DN15	95	65	4 X 14	DN15	95	65	4 X 14	90
DN20	105	75	4 X 14	DN20	105	75	4 X 14	DN20	105	75	4 X 14	95
DN25	115	85	4 X 14	DN25	115	85	4 X 14	DN25	115	85	4 X 14	100
DN32	140	100	4 X 18	DN32	140	100	4 X 18	DN32	140	100	4 X 18	105
DN40	150	110	4 X 18	DN40	150	110	4 X 18	DN40	150	110	4 X 18	115
DN50	165	125	4 X 18	DN50	165	125	4 X 18	DN50	165	125	4 X 18	125
DN65	185	145	4 X 18	DN65	185	145	8 X 18	DN65	185	145	8 X 18	145
DN80	200	160	8 X 18	DN80	200	160	8 X 18	DN80	200	160	8 X 18	155
DN100	220	180	8 X 18	DN100	235	190	8 X 22	DN100	235	190	8 X 22	175
DN125	250	210	8 X 18	DN125	270	220	8 X 28	DN125	270	220	8 X 25	200
DN150	285	240	8 X 22	DN150	300	250	8 X 28	DN150	300	250	8 X 25	225
DN200	340	295	12 X 22	DN200	360	310	12 X 28	DN200	375	320	12 X 22	275

