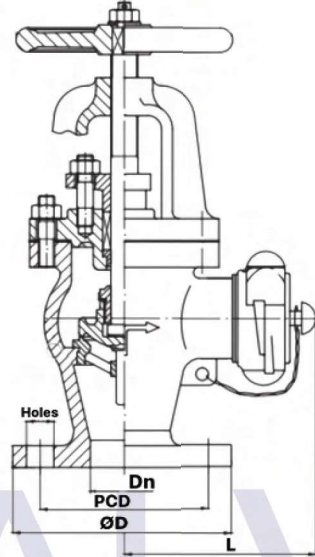


JIS Tip Yangın Vanası 5K (Gönye Tip) / JIS Type Fire Hose Valve 5K (Angle Type)



PARÇA ADI PART NAME	MALZEME MATERIAL
GÖVDE / BODY	GG25
KAPAK / BONNET	GG25
SİT / SEAT	SS304
CONTA / GASKET	SS304
HENDİL / HANDWHELL	GG25

SIZE	CODE IMPA	FLANGE ØD	PCD	FACE TO FACE (L)	HOLES
50	751735	130	105	155	4X15
65	7517**	155	130	175	4X15

