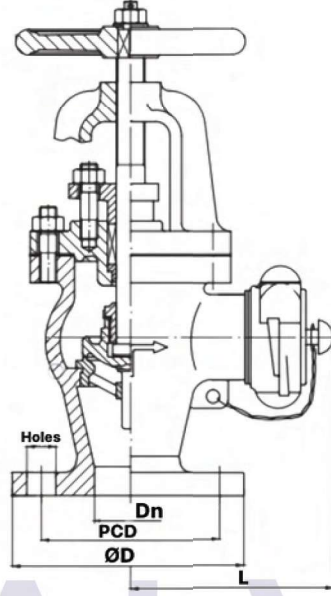


JIS Tip Yangın Vanası 10K (Gönye Tip) / JIS Type Fire Hose Valve 10K (Angle Type)



ATAVALVE

PARÇA ADI PART NAME	MALZEME MATERIAL
GÖVDE / BODY	GG25
KAPAK / BONNET	GG25
SİT / SEAT	SS304
CONTA / GASKET	SS304
HENDİL / HANDWHELL	GG25

SIZE	CODE IMPA	FLANGE ØD	PCD	FACE TO FACE (L)	HOLES
50	751736	155	120	170	4X19
65	751737	175	140	185	4X19

