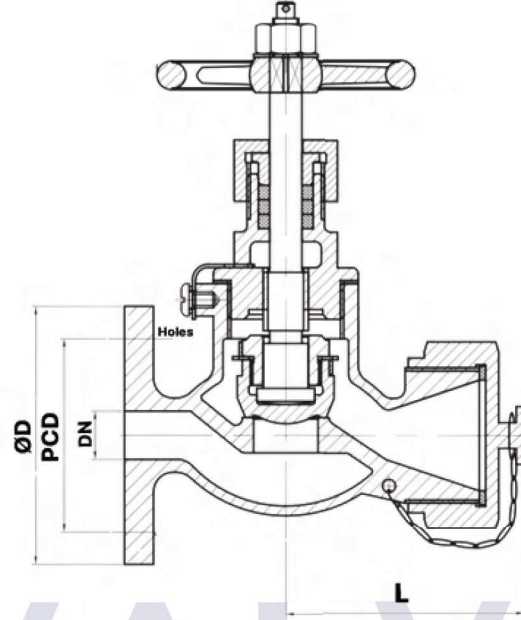
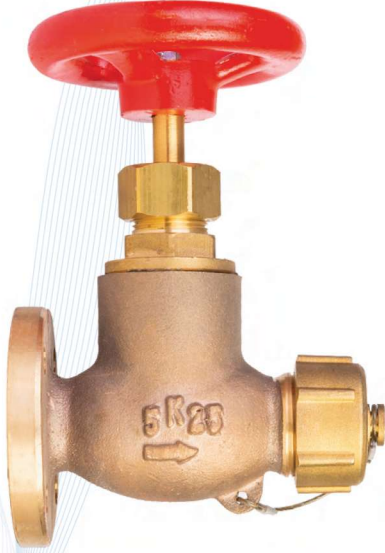


JIS Tip Yangın Vanası 5K (Düz Tip) / JIS Type Fire Hose Valve 5K ( Straight Type)



ATAVALVE

PARÇA ADI PART NAME	MALZEME MATERIAL
GÖVDE / BODY	RG5
KLAPE / DISC	RG5
CONTA / GASKET	KLINGRIT
HENDİL / HANDWHELL	GG20

SIZE	CODE IMPA	FLANGE ØD	PCD	FACE TO FACE (L)	HOLES
15A	751701	80	60	73	4 X 12
25A	751703	95	75	78	4 X 12
40A	751711	120	95	124	4 X 15
50A	751716	130	105	160	4 X 15

