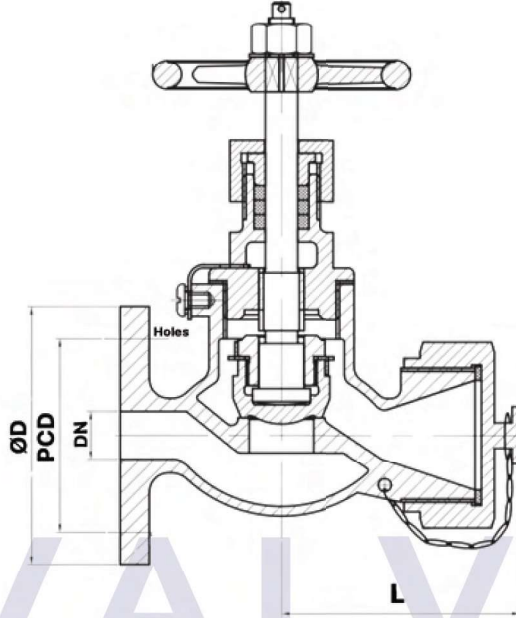
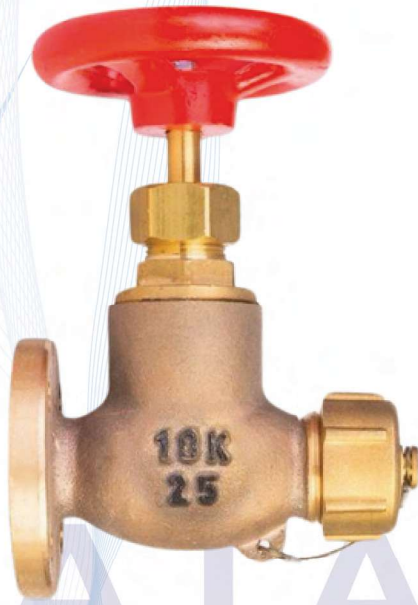


JIS Tip Yangın Vanası 10K (Bronz, Düz Tip) / JIS Type Fire Hose Valve 10K (Bronze, Straight Type)



PARÇA ADI PART NAME	MALZEME MATERIAL
GÖVDE / BODY	RG5
KLAPE / DISC	RG5
CONTA / GASKET	KLINGRIT
HENDİL / HANDWHELL	GG20

SIZE	CODE IMPA	FLANGE ØD	PCD	FACE TO FACE (L)	HOLES
15A	751702	95	70	73	4 X 15
25A	751704	125	90	83	4 X 19
40A	751712	140	105	133	4 X 19
50A	751717	155	120	165	4 X 19
65A	751718	175	140	200	4 X 19

